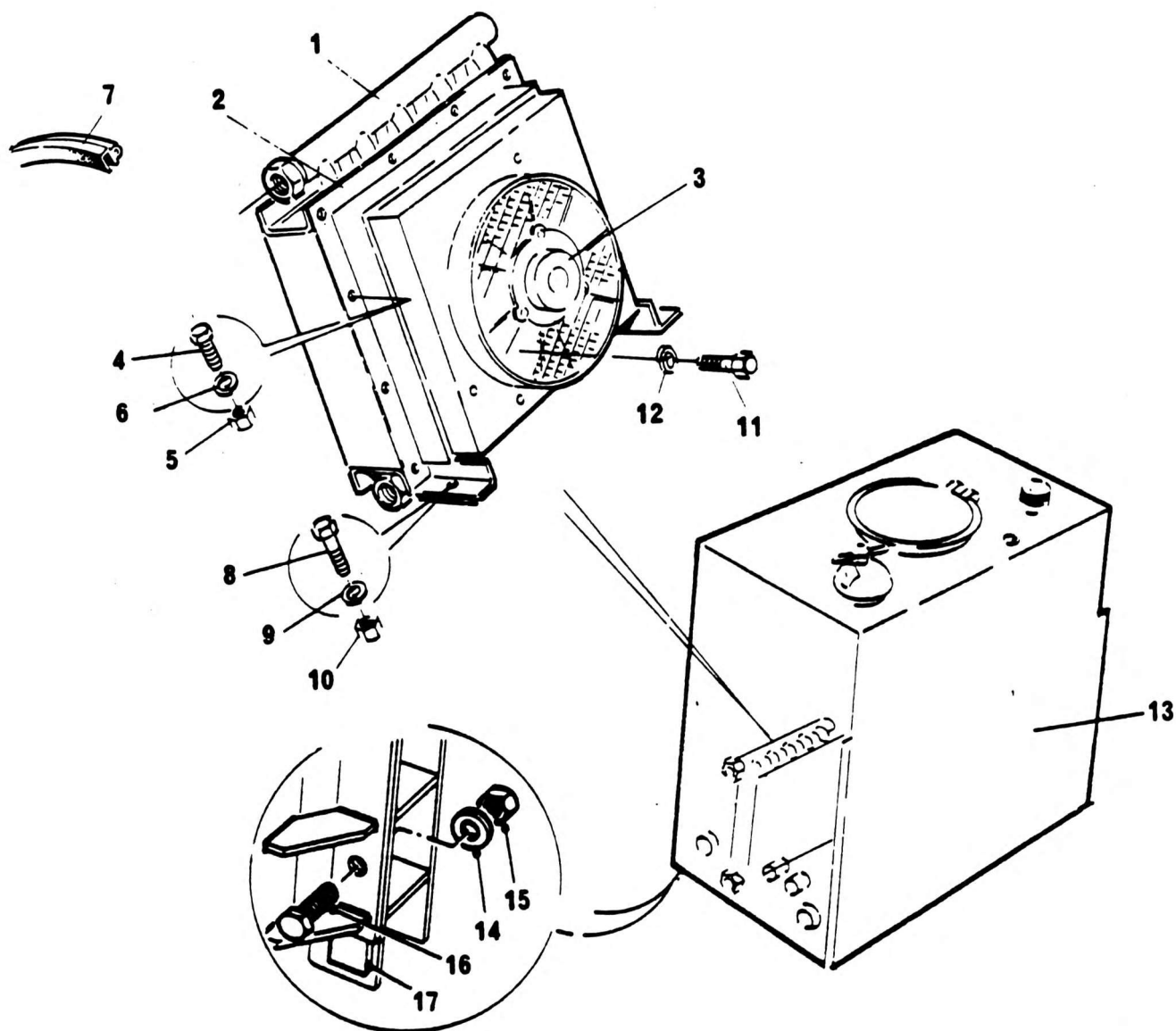


OIL COOLER ASSEMBLY AND HYDRAULIC TANK ASSEMBLY



NO.	PART NO	QTY.	DESCRIPTION	NO.	PART NO	QTY.	DESCRIPTION
1	6-726-990122	1	Oil Cooler	12	7-951-150210	4	Washer Spring M6
2	6-258-990324	1	Cover Oil Cooler Assembly	13+	6-880-990252	1	Hydraulic Tank Assembly
3 +	7-425-990032	1	Electric Fan Assy	14	7-949-000259	6	Hardened Washer
4	7-126-191253	12	Screw Hex Head M10 x 25 long	15	7-660-200008	6	Hex Nut
5	7-661-190003	12	Nut Hex M10	16	7-118-201650	6	Hex Head Bolt
6	7-951-190210	12	Washer Spring M10	17	6-705-991142	2	Plate
7	8-496-990046	1	Moulding Bulb Seal x 5ft Long				
8	7-126-171350	2	Bolt Hex Head M8 x 30 Long				+ See further breakdown in this group
9	7-951-170210	2	Washer Spring M8				
10	7-661-170003	2	Nut				
11	7-126-150953	4	Screw Hex Head M6 x 14 Long				

6-294-992646
Issue No. 00